

# QUADCOPTER (UAVS) FOR BORDER SECURITY WITH GUI SYSTEM

Jinay S. Gadda<sup>1</sup>, Rajaram D. Patil<sup>2</sup>

<sup>1,2</sup>M.E. Electronics, Electronics Department, P.V.P.I.T Budhgaon, Maharashtra, India  
jinay7@rediffmail.com, prajaram2@gmail.com

## Abstract

The authors are designing the Quad-copter (UAVs) for Border Security with GUI System. Now-a-days the security issues of borders are daily increasing. Terrorist activities, firing, etc. at border are increasing day by day. Monitoring is becoming more difficult due to weather conditions, difficult areas which are out of reach etc and risk of losing life of soldier is also increasing. Designing an unmanned air vehicle which will monitor the border area, difficult location, movie shooting etc from long distance can be a good option. GPS is used to track the position of intruder or our troops or vehicles. This GPS data will be received by ARM9 processor and conveyed to observer or controller via zigbee. The Quad-copter is controlled by observer via the IR remote. Observer will fly the Quad-copter from a distance to area which has to be monitored. The Audio-Visual will be transmitted to PC via Wireless camera mounted on assembly. Also recording will be done.

**Keywords:** Quadcopter, GPS, Zigbee, Wireless camera, IR remote, Battery, ARM9 processor, GUI

\*\*\*

## 1. INTRODUCTION

The military use of unmanned aerial vehicles (UAVs) has grown because of their ability to operate in dangerous locations while keeping their human operators at a safe distance. The larger UAVs also provide a reliable long duration, cost effective, platform for reconnaissance as well as weapons. These UAVs are designed with different filters such as adaptive high-gain extended Kalman filter (AEKF) [1], cost reference particle filter (CRPF) approach in estimating 1-D "tilt" with "Accelerometer" and "gyroscope" sensors for large perturbations [2]. Some quad-copters were design with robust control law to make the elevation & pitch angles of the 3-DOF helicopter practically track the time-varying reference signals that belong to a fixed family of function of time [3]. Also new adaptive law for attitude tracking extended state observer (ESO) were developed for effective compensation for the external disturbances & uncertainty in inertial matrix [4]. Some quad-copters were designed with Unscented Kalman filter (UKF) and an IMU with three-axis accelerometers, gyro meters & magnetometers with GPS receiver for attitude angles estimation [5]. Some designs were with vision system using camera, tracking the object using image processing & also calculating distance between unmanned air vehicle & ground target to control the UAV using computer [6]. Also some quad-copters were designed to the map or monitoring the areas in danger zones, disaster areas, etc. These systems were designed with payload of GPS, CCD cameras, laser scanner mounted on it [7].

The design caught our interest is the smaller UAVs can serve more tactical operations such as searching a village, rivers, surveillance, tracking for enemy positions, movie shootings, etc. Smaller UAVs, on the order of a couple feet in size,

should be able to handle military tactical operations as well as the emerging commercial and industrial applications.

It was therefore a vehicle in the one foot in size with bearable payload of GPS, video camera, zigbee ARM processor mounted on it that caught our interest. Although most of the large military UAVs are fixed wing aircraft, we felt that a small UAV should have greater maneuverability and versatility since it was likely to be useful for a broader range of applications than the larger or smaller versions. The quad-copter will meet the goal of producing a small UAV that could perform useful missions in both military and commercial arenas, time and funding constraints, battery backup forced to design a UAV to meet the functional requirements but not to meet harsh environmental conditions such as those encountered during military missions. However, UAV design certainly could be re-implemented with newer and more robust technology which would allow it to be used for military functions, surveillance & target tracking. The Quad-copter configuration UAV will be capable of being remotely controlled to fly specific pre-determined missions with manual control. Quad-copter will be designed to select a few mission scenarios to show the range of control and monitoring capabilities of such a platform. Such missions might include inspection of a difficult to reach location, rapid deployment video from the location of a fictitious campus incident, or surveillance video from a pre-planned route around area. As a stretch goal for the project, the quad-copter will be of autonomous/remote controlled flight where the UAV must avoid objects or sustain a flight path in the face of side winds or to find intruders at border. A scenario requiring autonomous/remote controlled flight would be a search and border surveillance, rescue situation where a building has

collapsed and the search route is blocked by unknown objects that must be avoided during the search.

### 1.1 Applications

Quad-copter can be useful for many applications such as industrial, commercial, military etc. It is mainly designed for surveillance. It can be also useful for disaster management, land slide, earthquakes, for finding the persons were people cannot reach. Quad-copter can also be used for video shooting of movies or collecting evidences for reporters keeping them at safe distance.

At border it is used to detect intruders, land mines, enemy troops etc. keeping our soldier at safe distance.

## 2. QUADCOPTER (UAVS) FOR BORDER SECURITY WITH GUI SYSTEM DESIGN

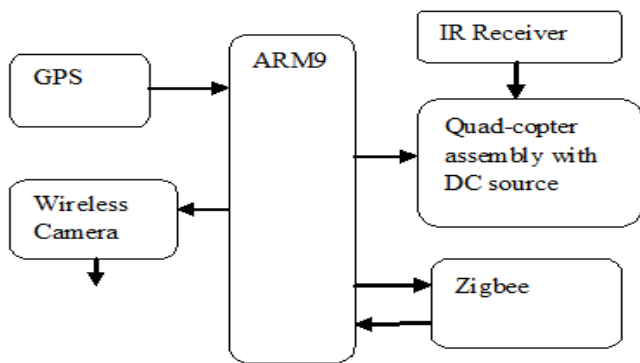


Fig-1 Quad-copter Assembly

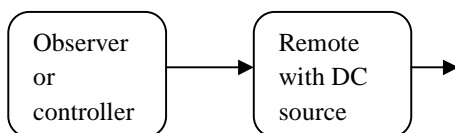


Fig-2 IR Remote

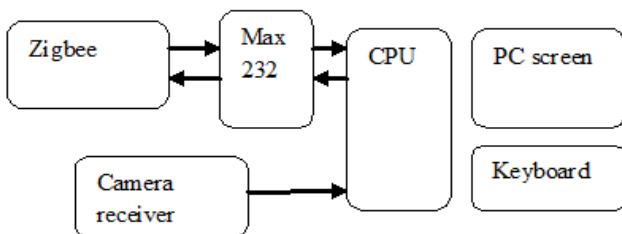


Fig-3 Receiver with GUI System

### 2.1 MCU: (Microcontroller Unit) ARM9

It is the heart of system. All the controlling functions, data transmitting function are done by this unit. Following functions will be carried out by microcontroller unit.

- 1) Decode the signals from IR decoder & compare with stored value & make decision which function to be executed
- 2) Data from GPS will be received by MCU & send to server via zigbee.
- 3) To adjust the camera position.
- 4) To monitor battery voltage & check whether discharge or not & give information about battery status to server.

#### 2.1.1 Features

1. 64MB SDRAM, 256MB Nand
2. 2MB Nor Flash, BIOS installed.
3. 4 wire resistive touch screen interface.
4. Audio / USB / SD / 3x Serial / I2C / Ethernet.
5. Pre-loaded with Linux QT (touch enabled).
6. Supports Android, Linux, Windows CE.
7. Manufactured by FriendlyARM.



Fig-4 ARM9 KIT

### 2.2 CC2500 Zigbee Module:-

Zigbee CC2500 is used as a media for communication between quad copter & pc. Zigbee uses RF link with carrier frequency 2.4 GHz. It is bidirectional with data anti collision protection.

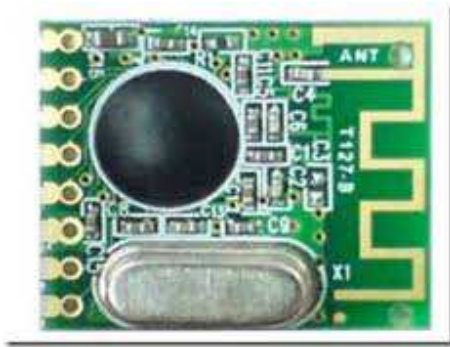


Fig-5 CC2500 Module

### 2.2.1 Features

1. Low current consumption.
2. Easy for application.
3. Efficient SPI interface
4. Operating temperature range: -40degree - 85 degree.
5. Operating voltage: 1.8~ 3.6 Volts.
6. Available frequency at : 2.4-2.483GHz
7. Programmable output power and hi sensitivity.

### 2.3 Camera:

It is used to take videos of the surrounding environment.

### 2.4. Copter Assembly

It is used to fly the unit & take to position where we want. It consists of motors, base, fans. The payload of our copter assembly will contain ARM9 kit, GPS receiver, Video Camera, Power supply, etc.



Fig-6 Copter Assembly

### 2.5 Power Supply Requirement:

Power supply required is 5v dc/2A maximum for all system.

### 2.6 IR Receiver:

It is used to receive the signals from transmitter remote.

### 2.7 IR Remote:

It is used to send commands to fly the copter.

### 2.7.1 Specifications

1. 4CH infrared control
2. Remote distance: 100M
3. 2.4 GHZ frequency



Fig-7 IR Remote

### 2.8 GPS Receiver

MN5010HS GPS module is used. Data from GPS will be received by ARM9 & send to server via zigbee CC2500.



Fig-8 GPS Module

### 2.9 Monitoring Side:

- 1) At this side we will receive the data of position in terms of latitude & longitude given by GPS via zigbee cc2500.

- 2) This data is given to PC via a max232 ic which is TTL-CMOS, CMOS-TTL converter to PC.
- 3) PC will contain GUI which will have map of area & through map we will plot position with the help of GPS data.
- 4) Through camera we are going to monitor the area also recording will be done.

### 2.10 Pc interface using MAX232 for Zigbee

Max 232 ic is required to convert TTL-CMOS or CMOS to TTL voltage levels. Zigbee will be interfaced to PC via a max232 ic. Data of location from ARM9 will be received through zigbee CC2500 and given to PC via max 232 ic.

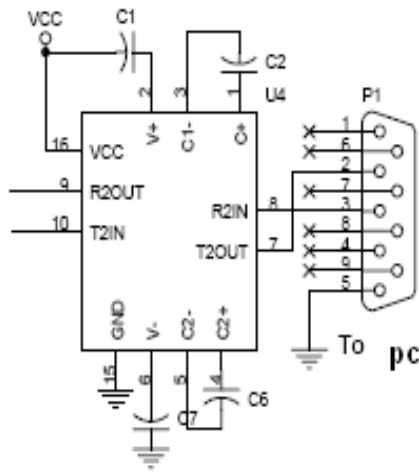


Fig-9 max 232 pc interface circuit

### 2.11 Graphical User Interface

GUI example shown below will contain location information, video recording, and video screen. This will guide the observer to take the decision where to move the copter & which area to be monitored.

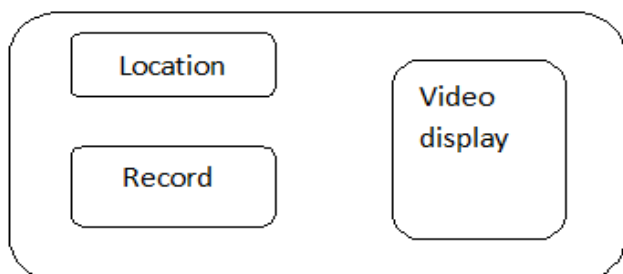


Fig-9 GUI contents

### CONCLUSIONS

Through quad-copter we will be able to monitor the border with a distance & guide our soldier with safety & provide security to selected area. Quad-copter can also be used for disaster management at the time of floods, earthquakes, landslide, in laboratories where it is difficult for person to reach. This quad-copter will also be able to shoot the videos & record it for film industries. Quad-copter will also be useful for managing road traffics & accident recording.

### ACKNOWLEDGEMENTS

The author would like to thanks Prof. R.D.Patil for providing valuable guidance for this thesis.

### REFERENCES

- [1]. Kenneth D. Sebesta and Nicolas Boizot. A Real-Time Adaptive High-Gain EKF, Applied to a Quadcopter Inertial Navigation System. IEEE TRANSACTIONS ON INDUSTRIAL ELECTRONICS, VOL. 61, NO. 1, JANUARY 2014.
- [2]. Jaechan Lim and Daehyoung Hong, Member, IEEE. Cost Reference Particle Filtering Approach to High-Bandwidth Tilt Estimation. IEEE TRANSACTIONS ON INDUSTRIAL ELECTRONICS, VOL. 57, NO. 11, NOVEMBER 2010.
- [3]. Bo Zheng and Yisheng Zhong, Member, IEEE Robust Attitude Regulation of a 3-DOF Helicopter Benchmark: Theory and Experiments IEEE TRANSACTIONS ON INDUSTRIAL ELECTRONICS, VOL. 58, NO. 2, FEBRUARY 2011.
- [4]. Yuanqing Xia, Zheng Zhu, Mengyin Fu, and Shuo Wang, Attitude Tracking of Rigid Spacecraft with Bounded Disturbances. IEEE TRANSACTIONS ON INDUSTRIAL ELECTRONICS, VOL. 58, NO. 2, FEBRUARY 2011.
- [5]. Hector Garcia de Marina, Fernando J. Pereda, Jose M. Giron-Sierra, Member, IEEE, and Felipe Espinosa, Member, IEEE, UAV Attitude Estimation Using Unscented Kalman Filter and TRIAD. IEEE TRANSACTIONS ON INDUSTRIAL ELECTRONICS, VOL. 59, NO. 11, NOVEMBER 2012.
- [6]. A Robust Real-Time Embedded Vision System on an Unmanned Rotorcraft for Ground Target Following by Feng Lin, Student Member, IEEE, Xiangxu Dong, Ben M. Chen, Fellow, IEEE, Kai-Yew Lum, Member, IEEE, and Tong H. Lee, Member, IEEE IEEE TRANSACTIONS ON INDUSTRIAL ELECTRONICS, VOL. 59, NO. 2, FEBRUARY 2012.
- [7]. Masahiko Nagai, Tianen Chen, Ryosuke Shibasaki, Hideo Kumagai, and Afzal Ahmed, UAV-Borne 3-D Mapping System by Multisensor Integration. IEEE TRANSACTIONS ON GEOSCIENCE AND REMOTE SENSING, VOL. 47, NO. 3, MARCH 2009.

## BIOGRAPHIES



Mr. Jinay S. Gadda has received his bachelor degree in Electronics and Telecommunications from Shivaji University, Kolhapur and currently Pursuing M.E in Electronics from Shivaji University, Kolhapur. Also having industrial experience of 8 years & 4 years of teaching.



Mr. R.D. Patil (M.E. Electronics) working as an Associate Professor & PG Coordinator for PVPIT Budhgaon. Having teaching experience of 25 years. His area of specialization is Microprocessor, Microcontroller, VLSI Design, Embedded system.